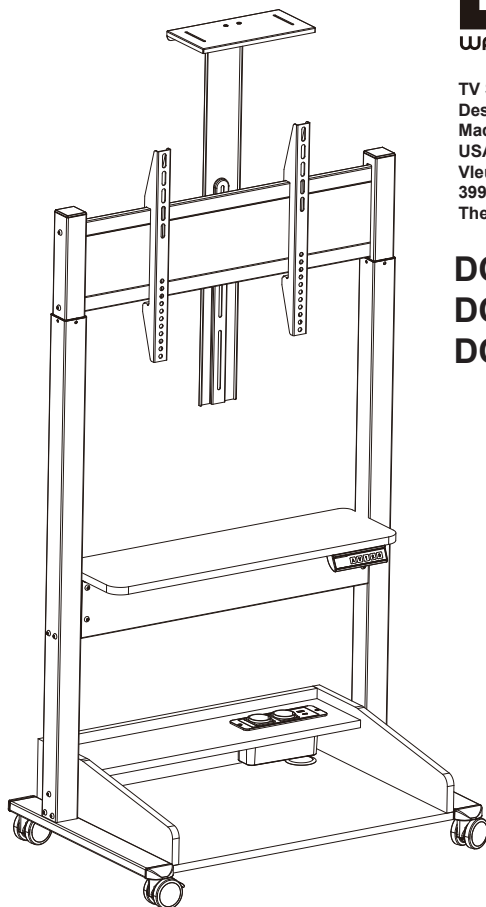


# USER MANUAL

**DQ**  
WALL • SUPPORT

TV STAND ZELOS ELECTRIC  
Designed in The Netherlands.  
Made in the PRC for:  
USA2NL BV  
Vleugelboot 4b  
3991 CL Houten  
The Netherlands

**DQ17-1300**  
**DQ17-1305**  
**DQ17-1310**



**CAUTION: DO NOT EXCEED MAXIMUM LISTED WEIGHT CAPACITY.  
SERIOUS INJURY OR PROPERTY DAMAGE MAY OCCUR!**

# COMPONENT LIST

①



(x1)

②



(x1)

③



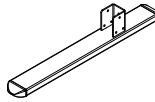
(x1)

④



(x1)

⑤



(x2)

⑥



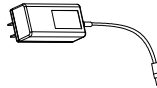
(x2)

⑦



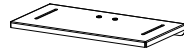
(x1)

⑧



(x1)

⑨



(x1)

⑩



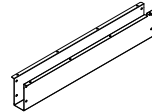
(x1)

⑪



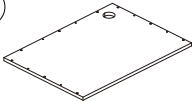
(x1)

⑫



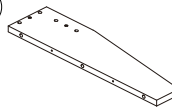
(x1)

⑬



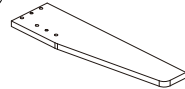
(x1)

⑭



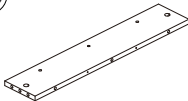
(x1)

⑮



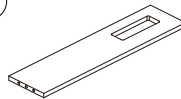
(x1)

⑯



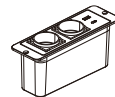
(x1)

⑰



(x1)

⑱



(x1)

## HARDWARE LIST

A



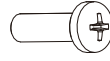
Screws  
M5×8mm (x4)

B



Screws  
M6×8mm (x28)

C



Screws  
M5×10mm (x8)

D



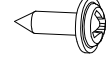
Screws  
M4×12mm (x2)

E



Screws  
M6×12mm (x2)

F



Screws  
M5×15mm (x10)

G



Screws  
M4×35mm (x6)

H



Allen Key  
S=2mm (x1)

I



Allen Key  
S=4mm (x1)

J



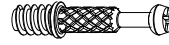
Cable Clip (x4)

K



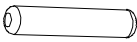
Cam Lock (x5)

L



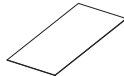
Cam Bolt (x5)

M



Wood Tip (x19)

N



Sticker (x1)

O



(x4)

P



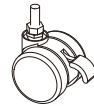
Cable Hole Cover (x1)

Q



(x2)

R



Universal Wheel (x4)

S



M14 (x1)

## OPTIONAL

T



M4x12 (x4)

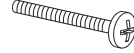


M4x30 (x4)

U



M5x12 (x4)



M5x30 (x4)

V



M6x12 (x4)

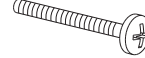


M6x30 (x4)

W



M8x16 (x4)



M8x30 (x4)

X



Φ18x6.5x1.5(x4)



Φ18x8x20 (x4)

## SPARE PARTS



A

M5x8mm (x1)



B

M6x8mm (x2)



C

M5x10mm (x1)



D

M4x12mm (x2)



E

M6x12mm (x1)



F

M5x15mm (x2)



G

M4x35mm (x1)



K

Cam Lock (x1)



L

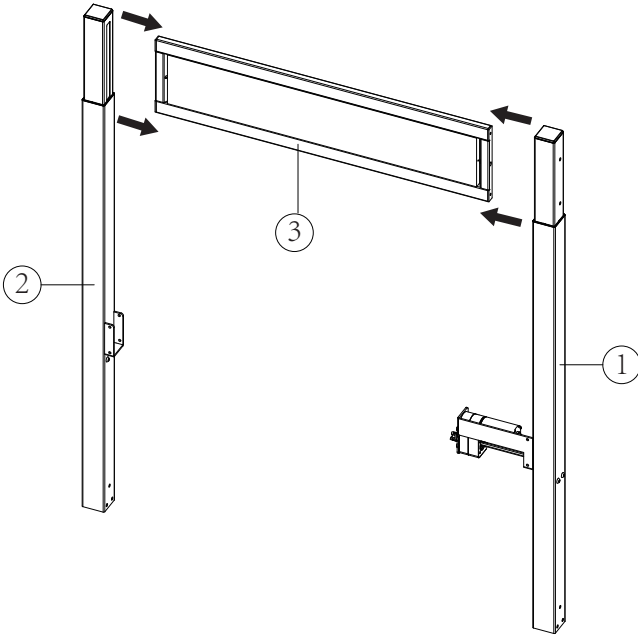
Cam Bolt (x1)



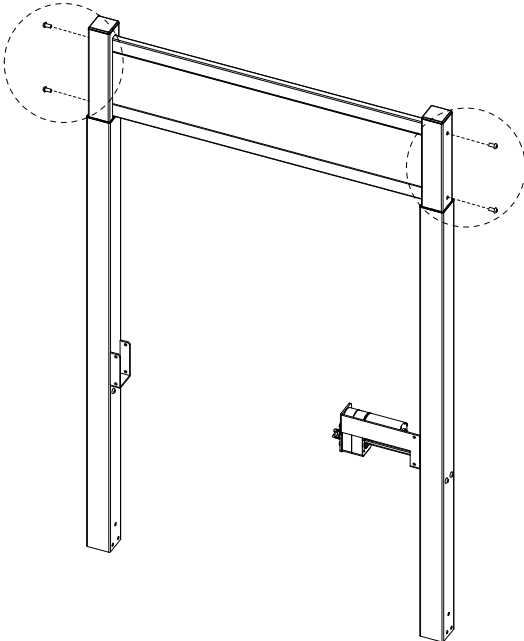
M



Wood Tip (x2)

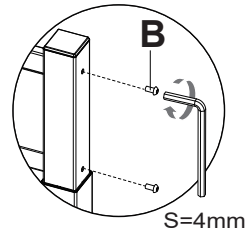
STEP 1





STEP 2

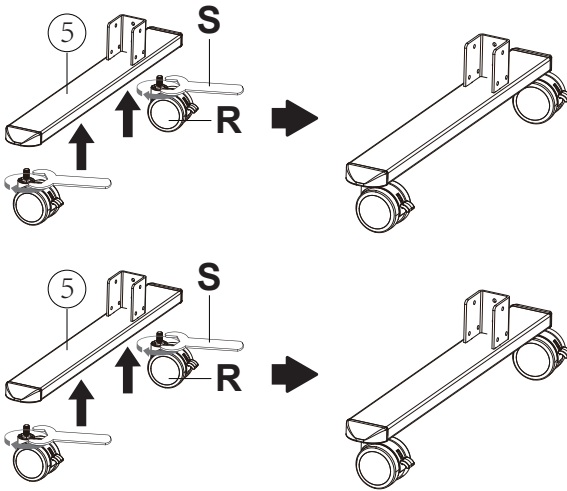


B	 M6×8mm(x4)
I	 S=4mm





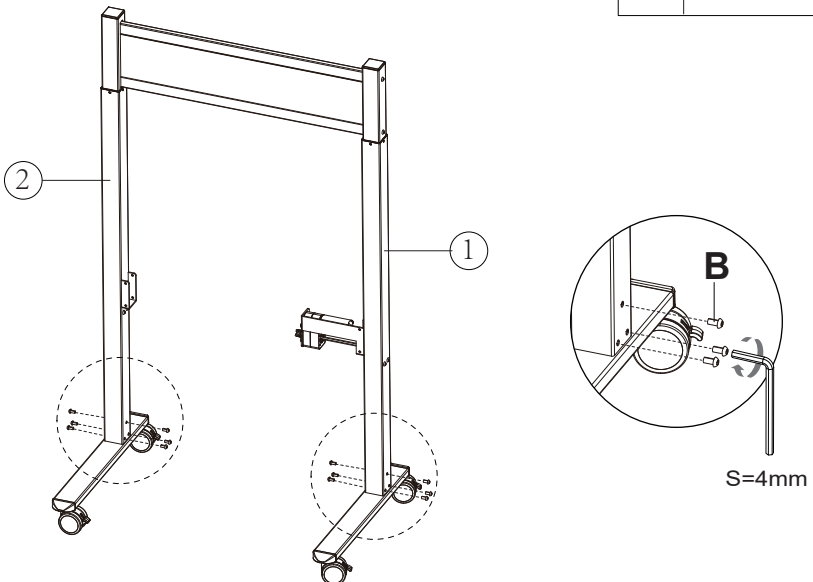
### STEP 3

R		Universal Wheel (x4)
S		M14 (x1)

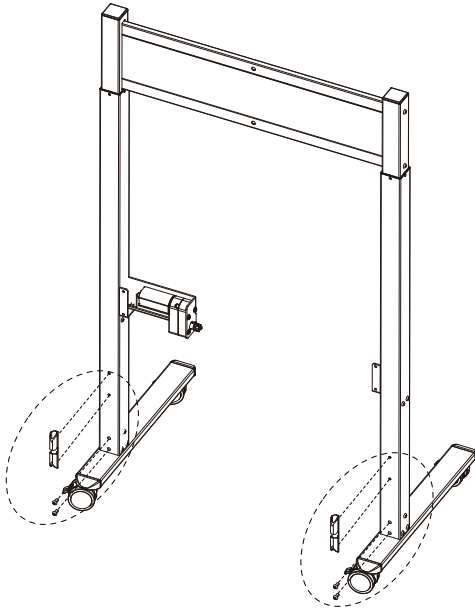





### STEP 4

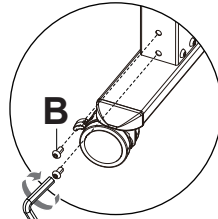
B		M6x8mm(x12)
I		S=4mm



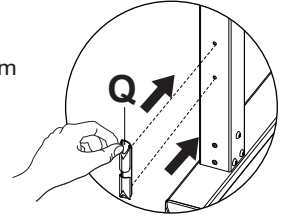
## STEP 5



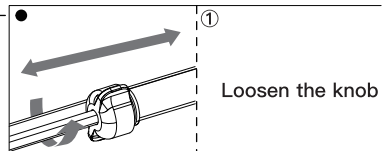
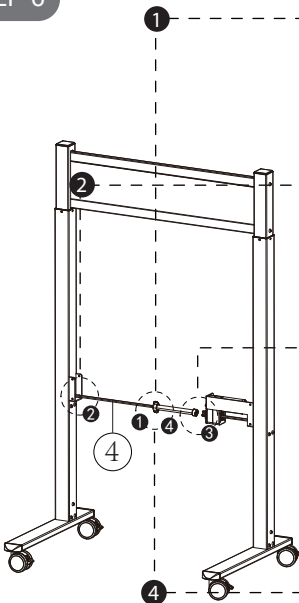
B	 M6×8mm(x4)
I	 S=4mm
Q	 X2



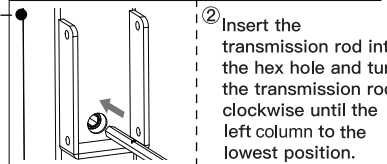
S=4mm



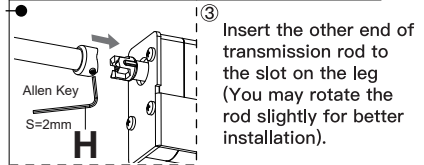
## STEP 6



Loosen the knob

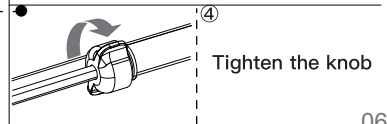


② Insert the transmission rod into the hex hole and turn the transmission rod clockwise until the left column to the lowest position.



③ Insert the other end of transmission rod to the slot on the leg (You may rotate the rod slightly for better installation).

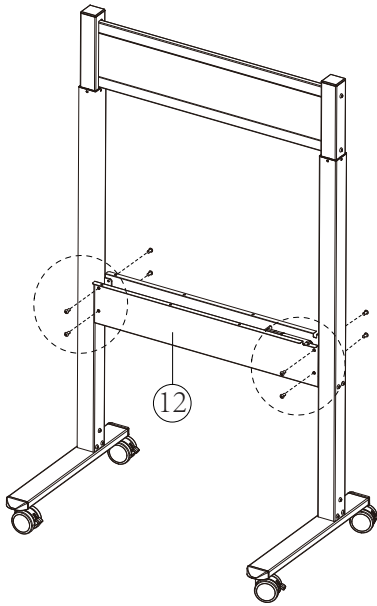
Secure the transmission rod to the slot by tightening the pre-assembled set screw using the small allen key.





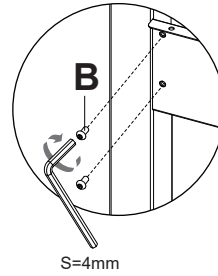
Tighten the knob

H	 S=2mm
---	---

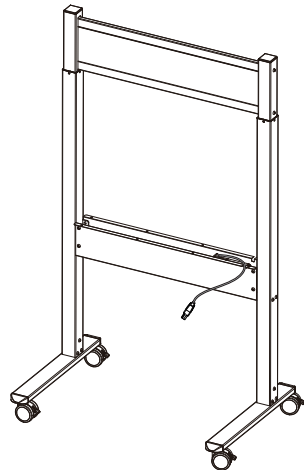
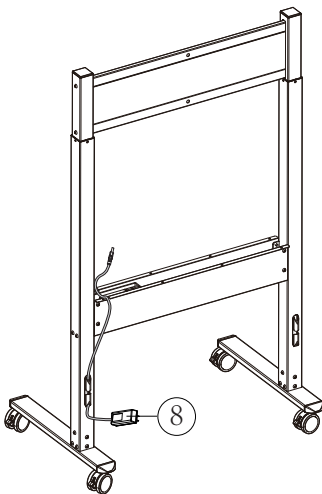
## STEP 7



B	 M6×8mm(x8)
I	 S=4mm




## STEP 8

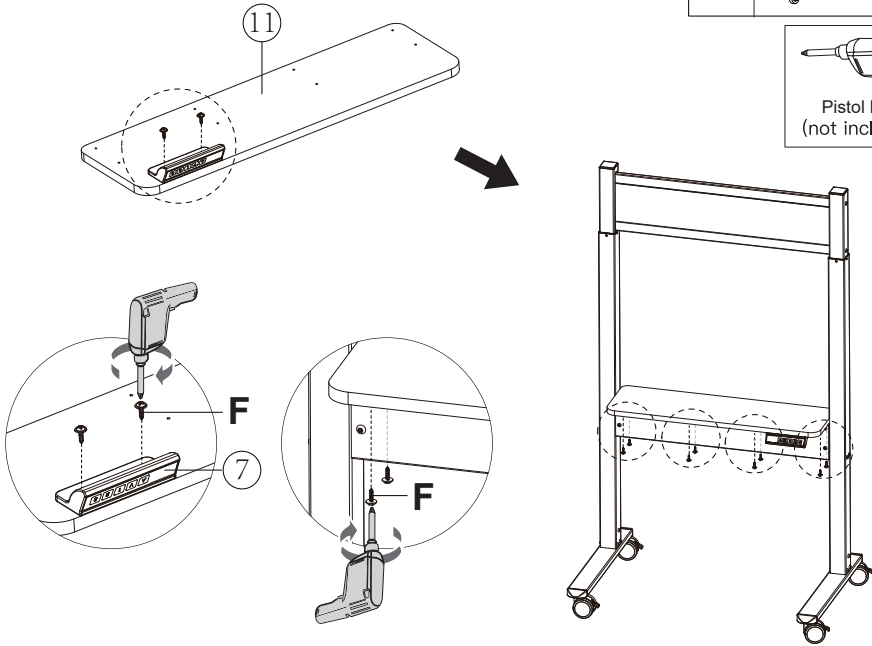




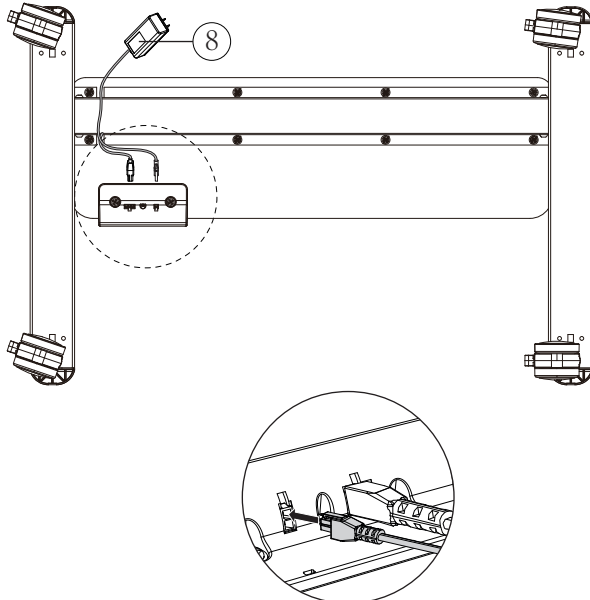
STEP 9

F  M5×15mm(x10)


  
Pistol Drill  
(not included)

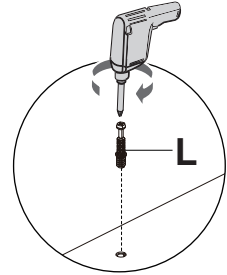
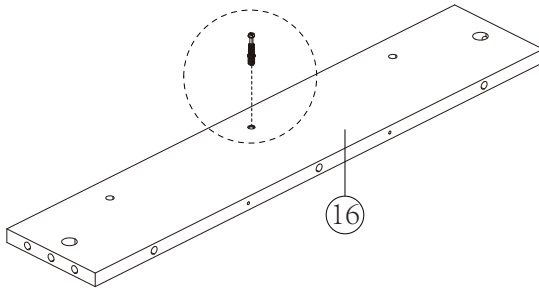


STEP 10



## STEP 11

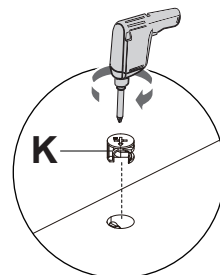
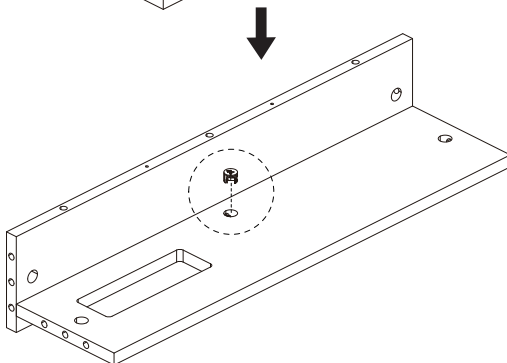
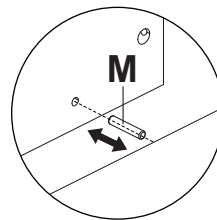
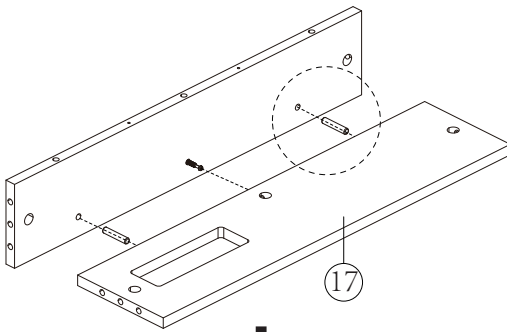
**L**  Cam Bolt (x1)



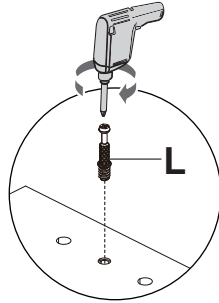
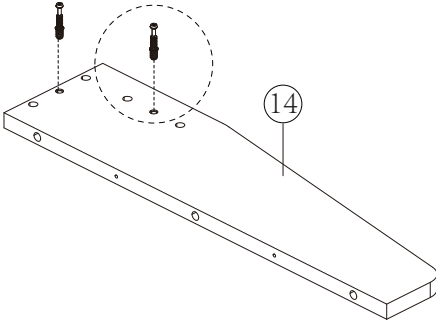
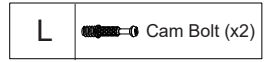
## STEP 12

**K**  Cam Lock (x1)

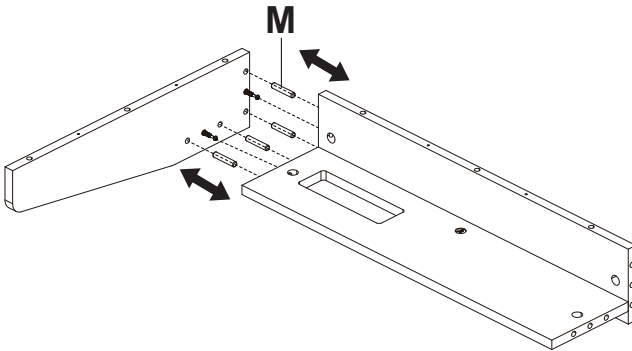
**M**  Wood Tip (x2)



STEP 13



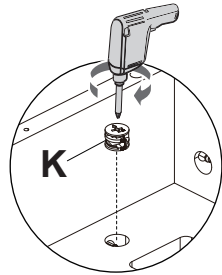
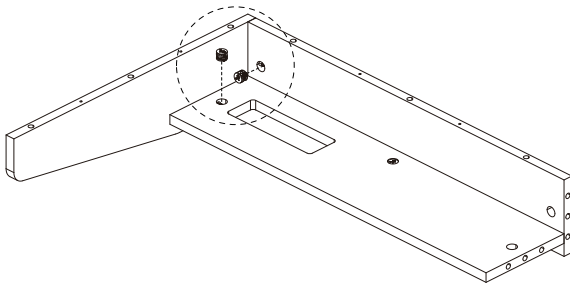
STEP 14



STEP 15

**K**  Cam Lock (x2)

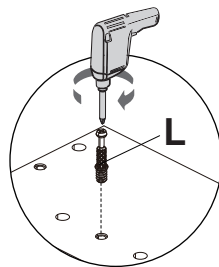
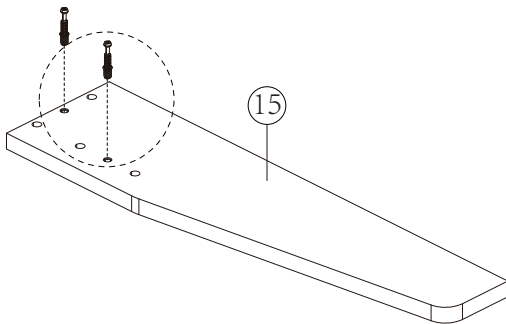
  
Pistol Drill  
(not included)




STEP 16

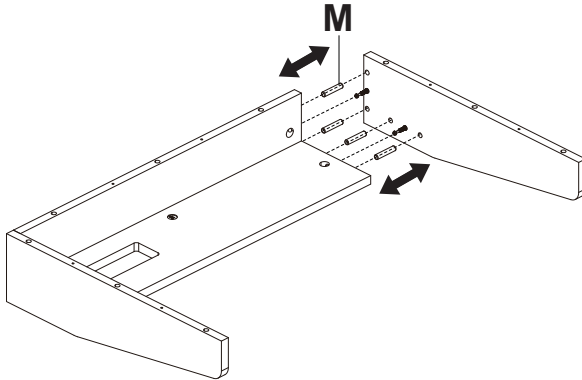
**L**  Cam Bolt (x2)

  
Pistol Drill  
(not included)



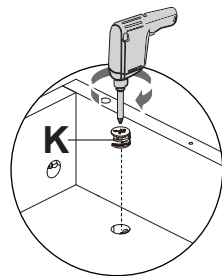
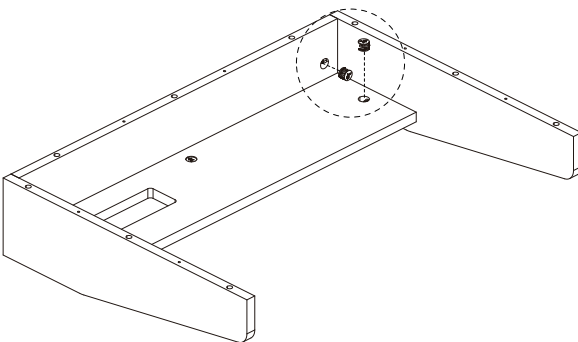
STEP 17

M	 Wood Tip (x4)
---	---



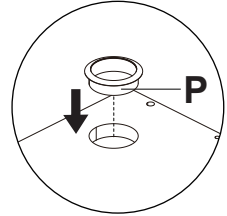
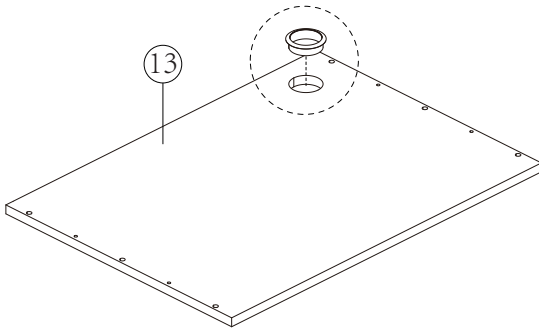
STEP 18

K	 Cam Lock (x2)
---	---




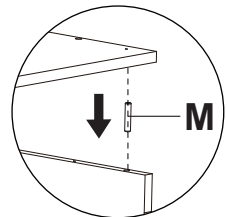
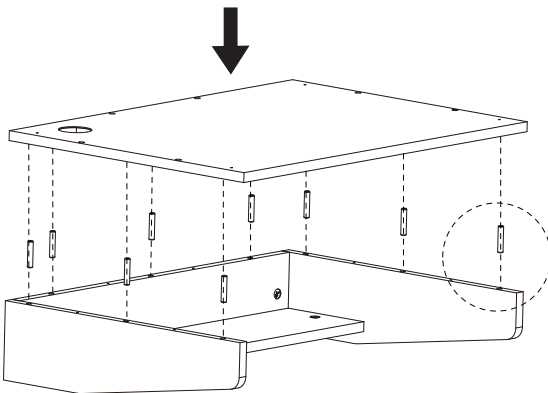
STEP 19

P	 Cable Hole Cover (x1)
---	---




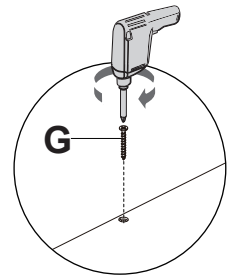
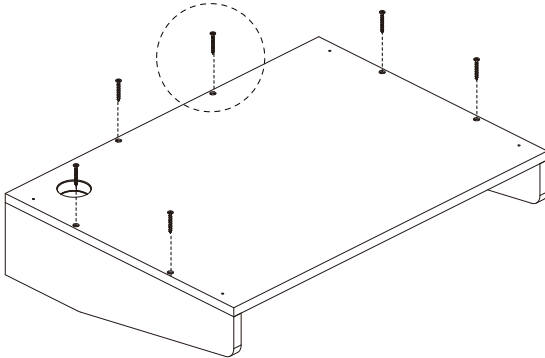
STEP 20

M	 Wood Tip (x9)
---	---



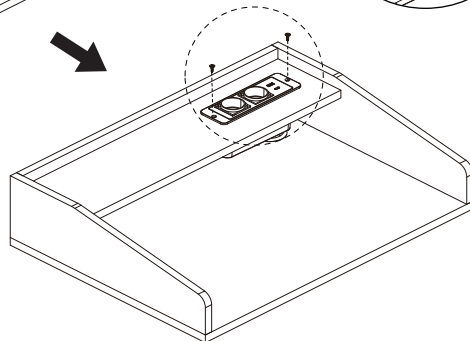
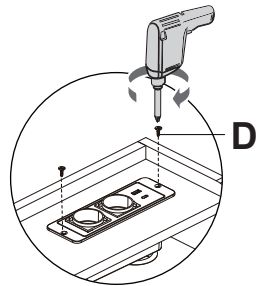
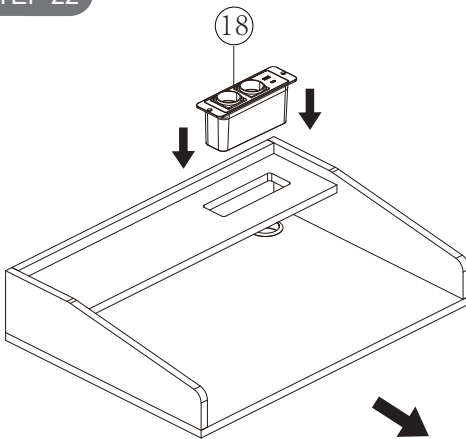
STEP 21

G  M4×35mm(x6)

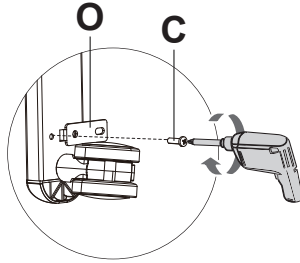




STEP 22

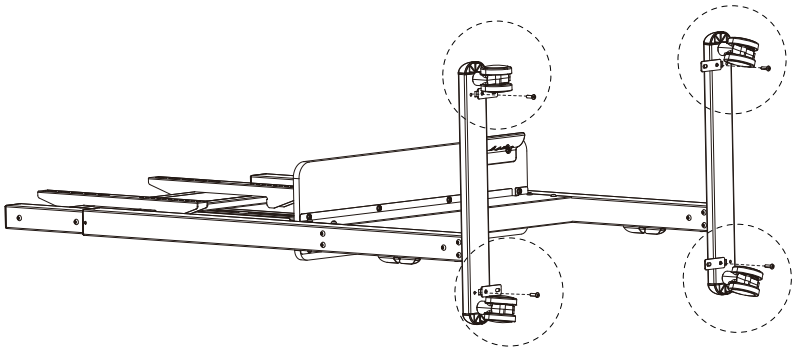
D  M4×12mm (x2)



# STEP 23

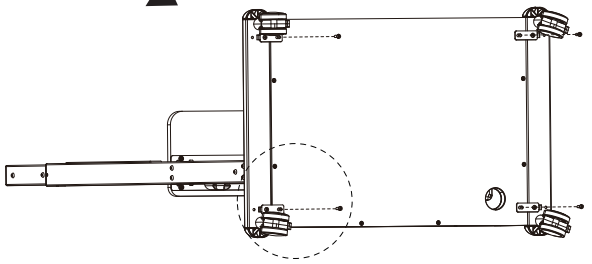
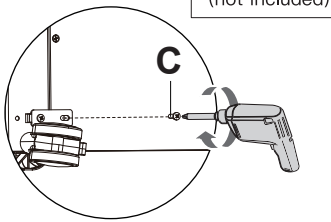
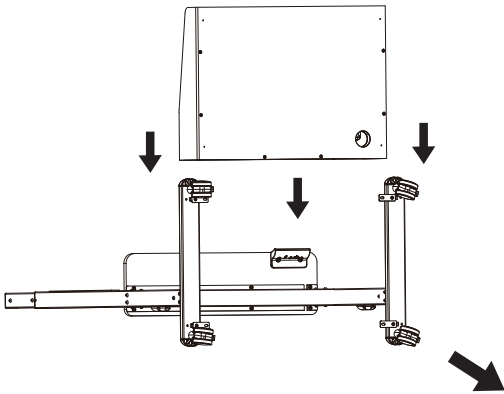


C	 M5×10mm(x4)
O	 (x4)



# STEP 24

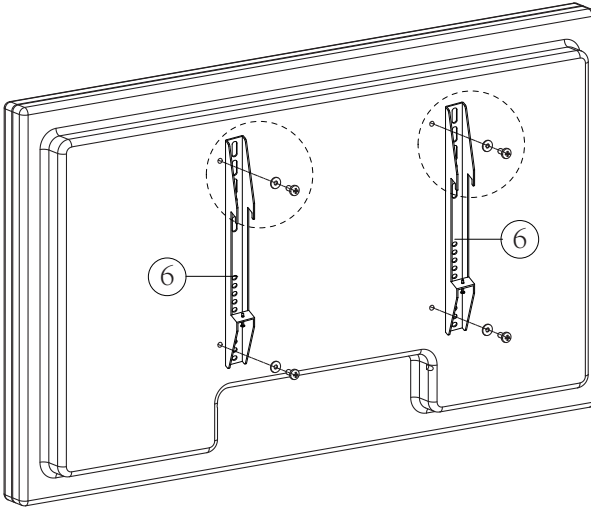
C	 M5×10mm(x4)
---	---



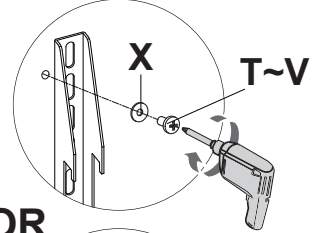


STEP 25

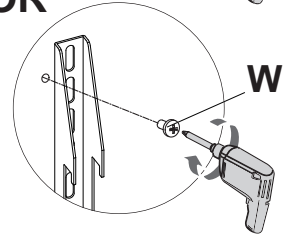
A



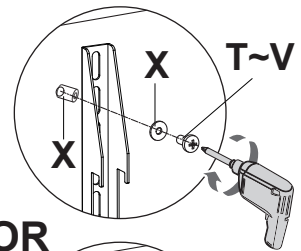
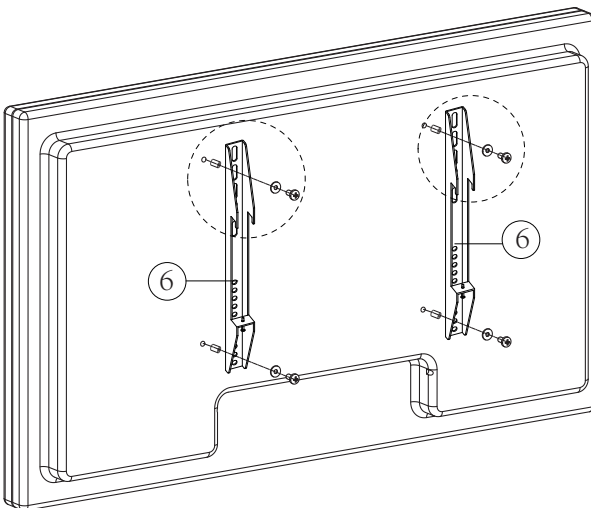
T		
	M4x12 (x4)	M4x30 (x4)
U		
	M5x12 (x4)	M5x30 (x4)
V		
	M6x12 (x4)	M6x30 (x4)
W		
	M8x16 (x4)	M8x30 (x4)
X		
	Φ18x6.5x1.5(x4)	Φ18xX20 (x4)



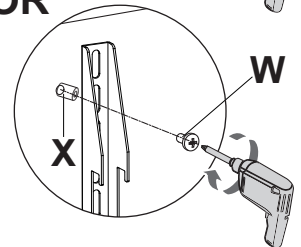
OR



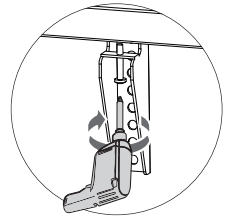
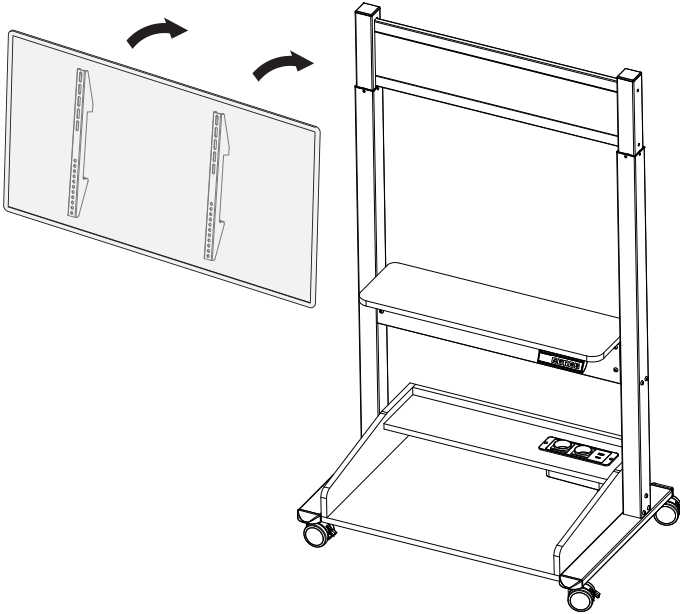
B



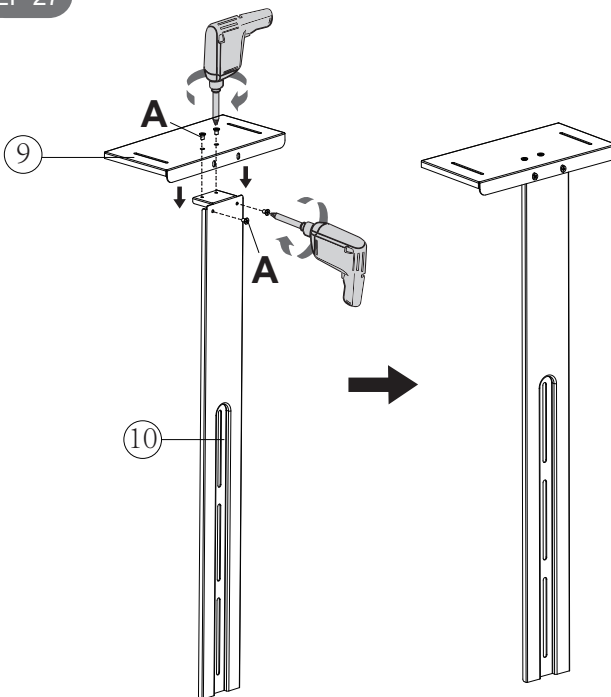
OR



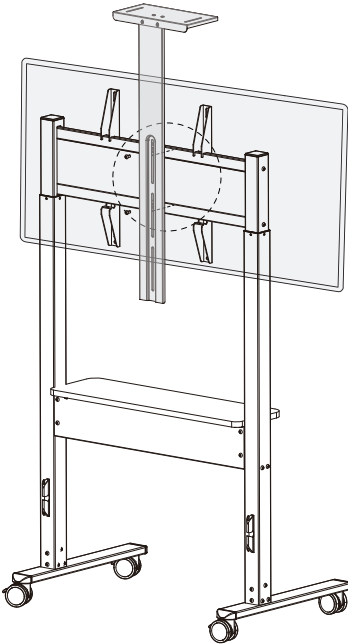
STEP 26





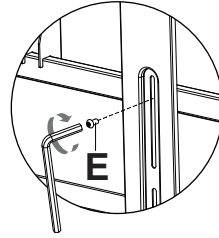
STEP 27



## STEP 28

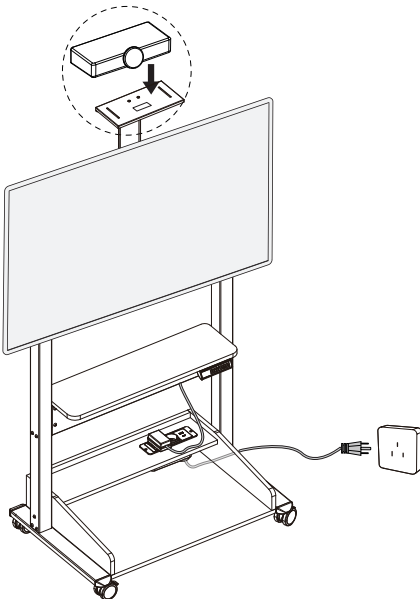



E	 M6×12mm(x2)
I	 S=4mm

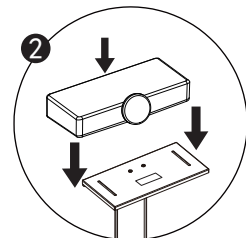
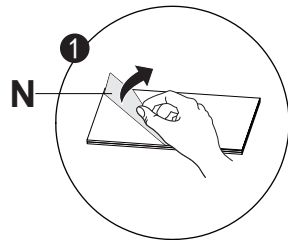


S=4mm

## STEP 29

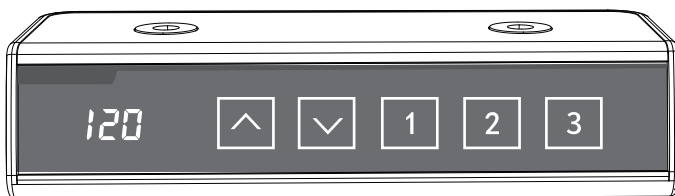


N	 Sticker (x1)
---	--

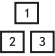






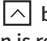
**!** Note: After installing the TV, reset the bracket upwards and pay attention to the interference above to prevent damage to the TV.



# Controller Introduction




 Press any key once to wake up the display.

 Adjust the stand to your preferred height, then long press the  or  or  button until the LED shows H1 or H2 or H3 and flashes for about 3 seconds, then the LED shows the height you have set, then the height memory setting is complete.

 Long press the  button to make the support continue to rise. The support stops rising when the button is released, or stops when the maximum height (160cm) is reached.

 Long press the  button to keep the bracket falling, stop the bracket falling when the button is released, or stop the bracket when the minimum height (120cm) is reached.

After raising the support to the  highest height, press and hold it for 5 seconds, the screen displays "rES" for reset, and when the screen displays the height 160 again, The reset succeeded. Procedure

Protection Mode Error Codes	
Hot	Overheat protection: When the motor operates continuously, it will stop running to prevent damage caused by overheating. Wait for a period of time (15-20minutes) before making any further height adjustments.
E10	Sensor malfunction warning: Motor safety sensor cannot be detected. Please power off, unplug the cables of the controller, wait for 5 minutes, then plug in the cables and connect the power again, and perform RES settings again.
E20	Overload protection: If the support load exceeds the maximum load, power off, remove some heavy objects from the table, and then plug in the power supply again.
E02	Operation status warning: The support stops moving when vibration, shock, or tilt is detected. If the detection result is incorrect, reset it and use it again.
E32	Overvoltage warning: The input voltage is too high. If the AC adapter is correct, power off the device, remove the controller cable, wait 5 minutes, plug in the cable, plug in the power, and reset the device.
E31	Undervoltage Protection: Input voltage too low. If the correct AC adapter is being used, please power off, unplug the cables of the controller, wait for 5 minutes, then plug in the cables and connect the power again, and perform RES settings again.
-	Cable Disconnection Warning: Please power off, unplug the cables of the controller, wait for 5 minutes, then plug in the cables and connect the power again, and perform RES settings again.